

INSTALLATION INSTRUCTIONS

Accessory

CD CHANGER KIT
P/N 08A06-MCA-A00

Application

GL1800

Publications No.

Issue Date

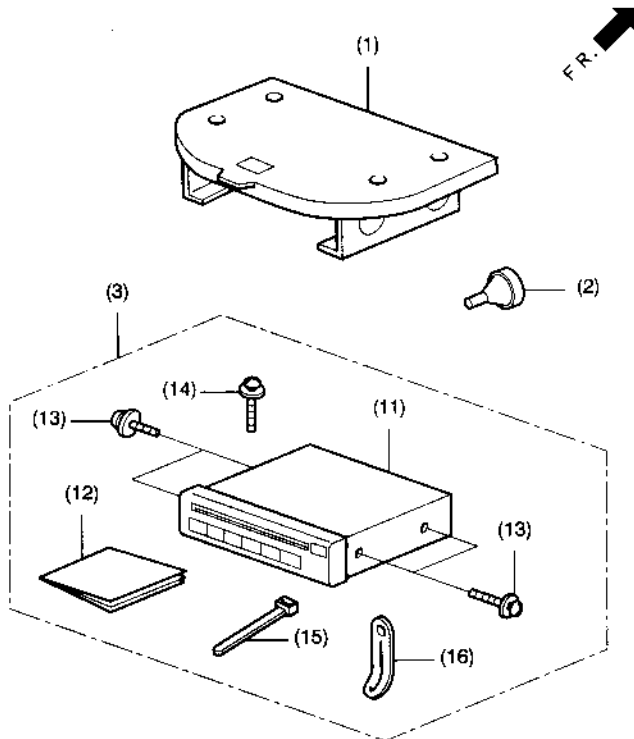
September 2000

Honda Dealer: Please give a copy of this instruction to your customer.

NOTE:

- The combined weight of the cargo and accessories must not exceed the maximum weight capacity of the trunk:
 - CD Changer Kit: 2.4 kg (5.4 lbs)

PARTS LIST



No.	Description	Q'ty
(1)	Stay Assy	1
(2)	Grommet	1
(3)	CD player kit	1

CD Player Kit

No.	Description	Q'ty
(11)	CD changer	1
(12)	Owner's Manual	1
(13)	5 mm Washer-screw	4
(14)	4 mm Washer-screw	1
(15)	Wire tie	2
(16)	Clip	2

TOOLS AND SUPPLY REQUIRED

- Hex wrench (4 mm)
- Phillips ® screwdriver
- Electric drill motor
- Drill bit (10 mm)
- Hole saw (32 mm)
- Honda Bond A
- Electrical tape
- Torque wrench

TORQUE CHART

Be sure to tighten all screws to their specified torques.

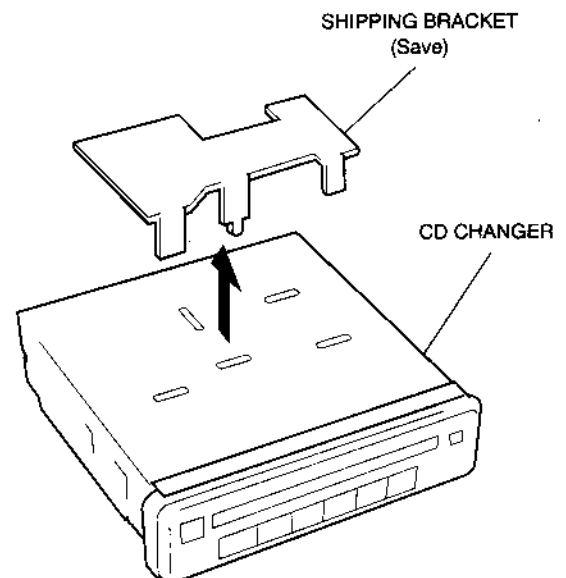
Item	N·m	kgf·m	lbf·ft
4 mm Screw	1	0.1	0.7
5 mm Screw	4	0.4	2.9

INSTALLATION

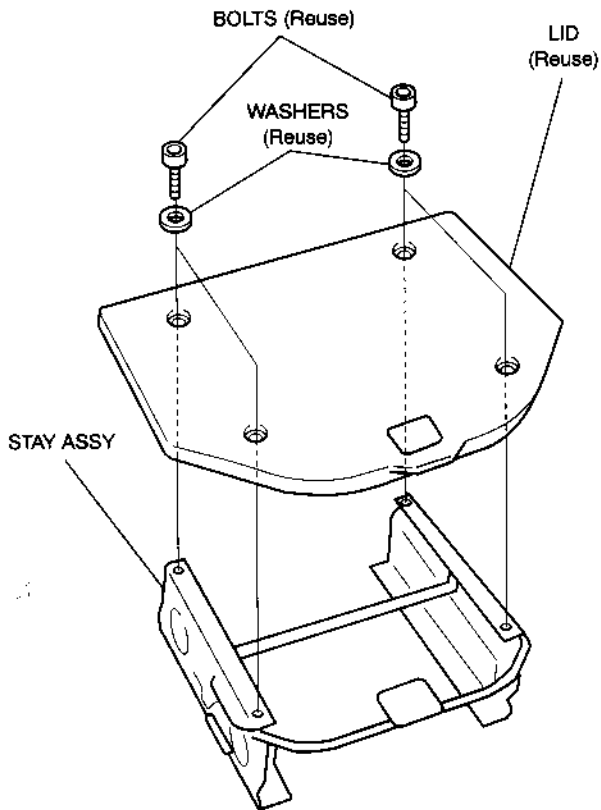
NOTE:

- These instructions are for installation of the CD changer kit. For operation of the CD changer, refer to the Owner's Manual furnished with the CD changer.
- If a CB radio is also going to be installed, install the CB radio before installing the CD changer.

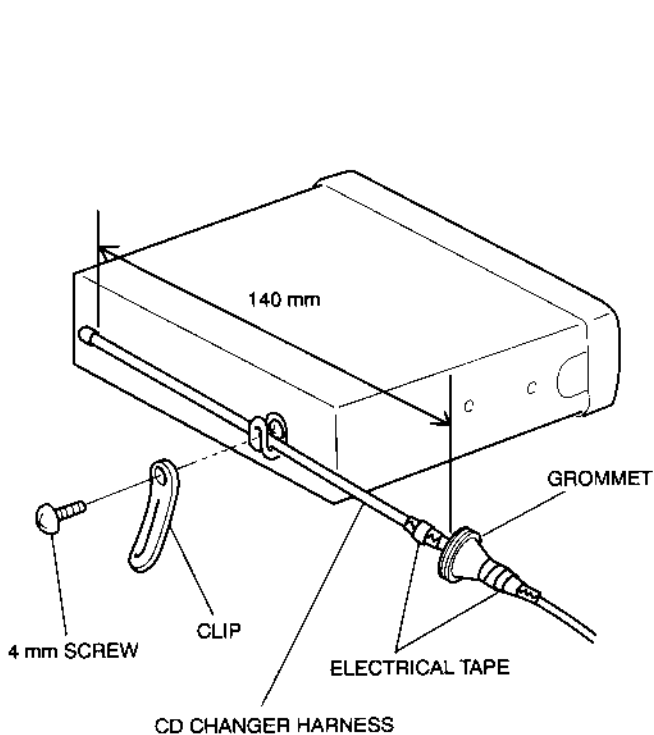
- Remove the shipping bracket from the CD changer.



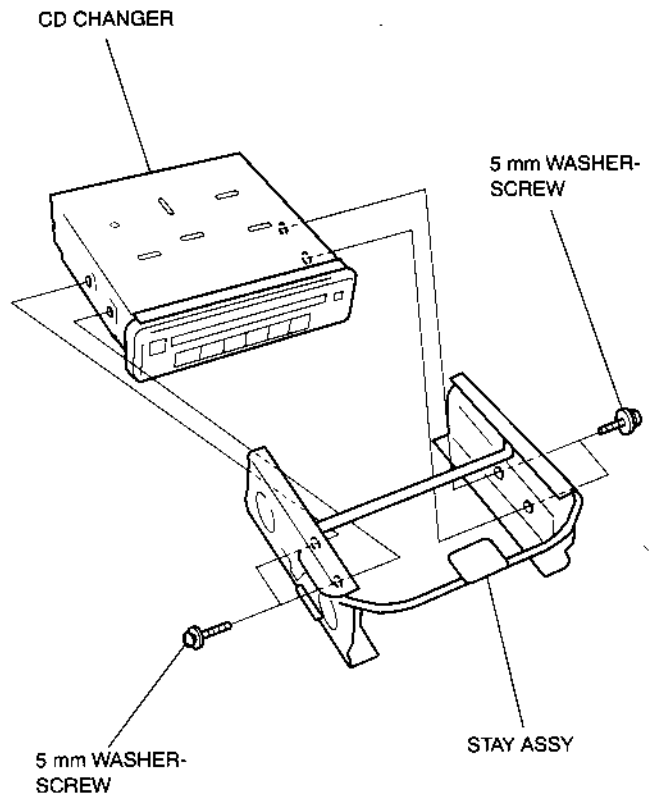
2. Remove the lid from the stay Assy.



3. Route and secure the CD changer harness with the clip as shown.

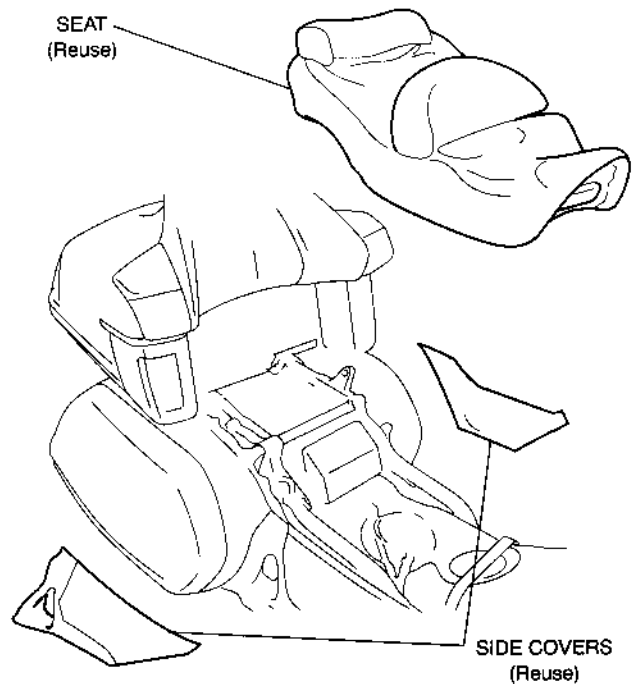


4. Install the CD changer on the stay Assy.

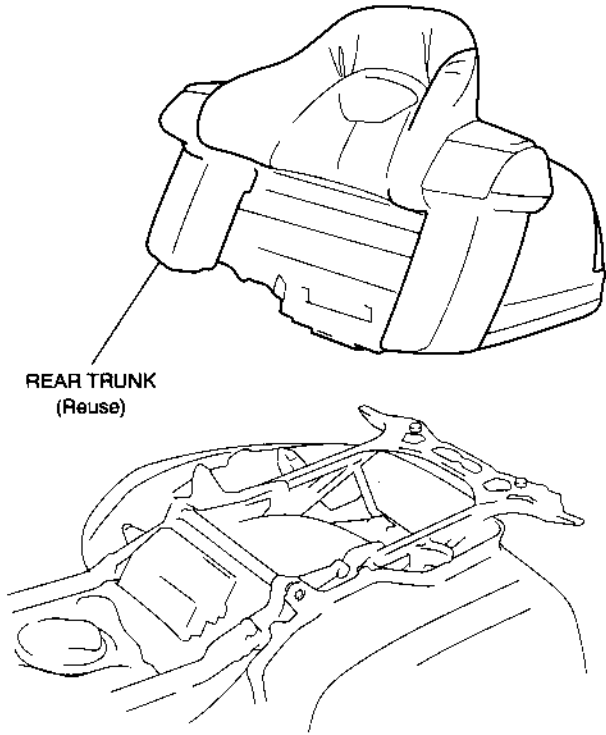


5. Remove the seat and side covers from the motorcycle.

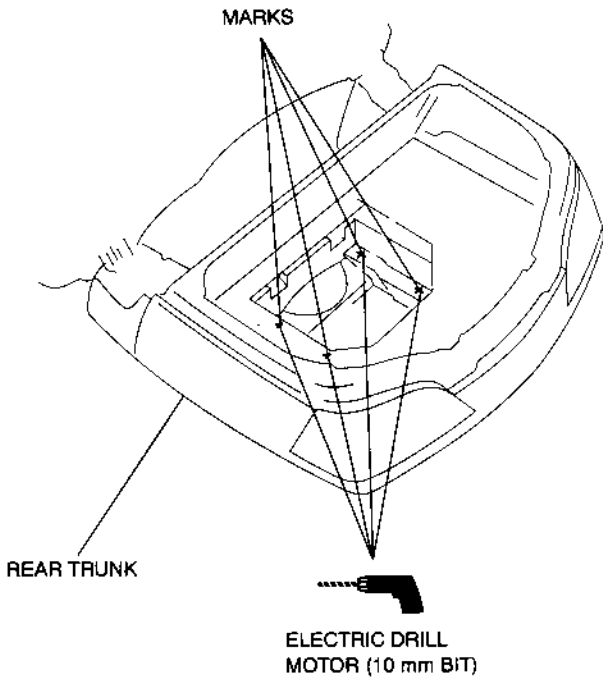
6. Disconnect the negative cable from the battery.



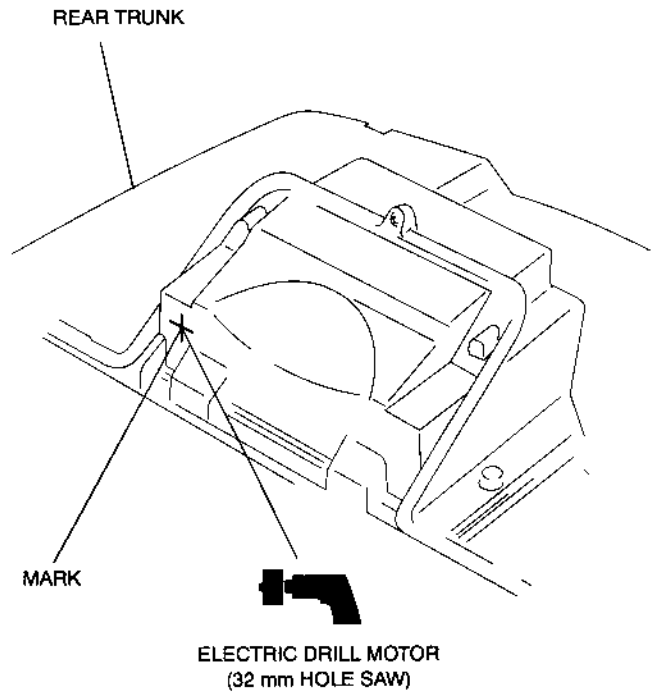
7. Remove the rear trunk as described in the Service Manual.



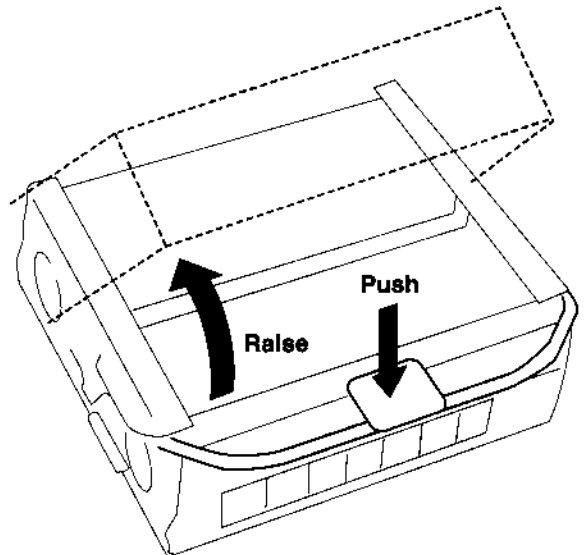
8. Inside the rear trunk, locate the four marks. Drill a hole through each mark using an electric drill motor and 10 mm drill bit.



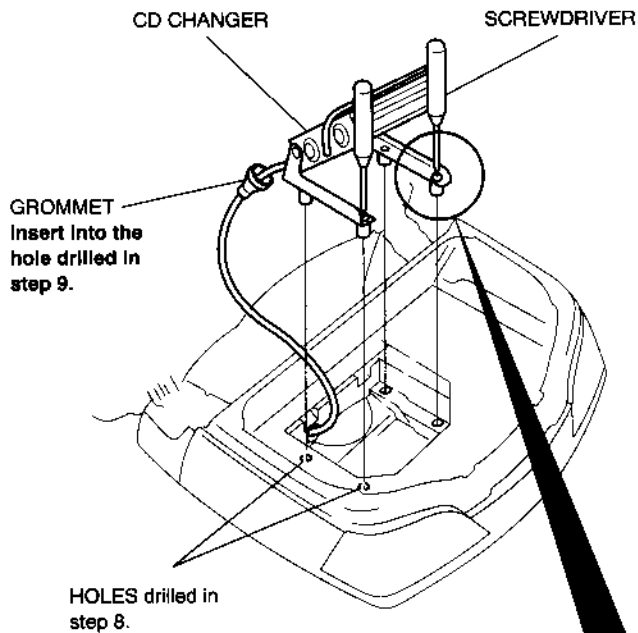
9. Further locate another mark on the back of the rear trunk and drill a hole through the mark with an electric drill motor and 32 mm hole saw.



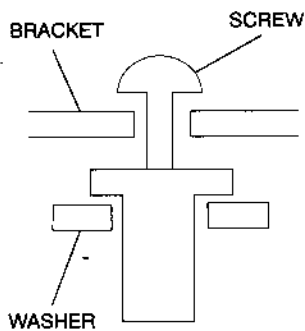
10. Release the lock by pressing down on the stay in the area shown.



11. Install the CD changer in the rear trunk.

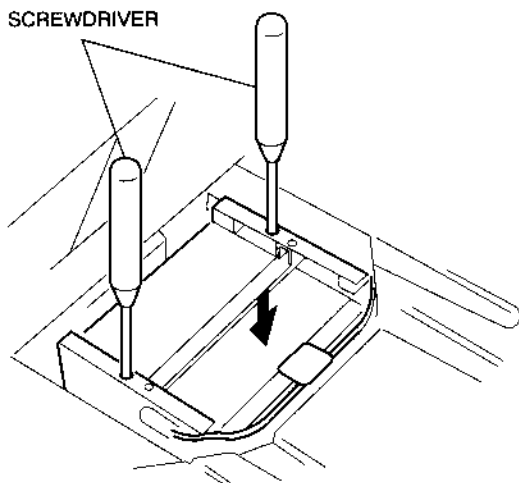


• Before installing, reset the screw on the bracket as described:

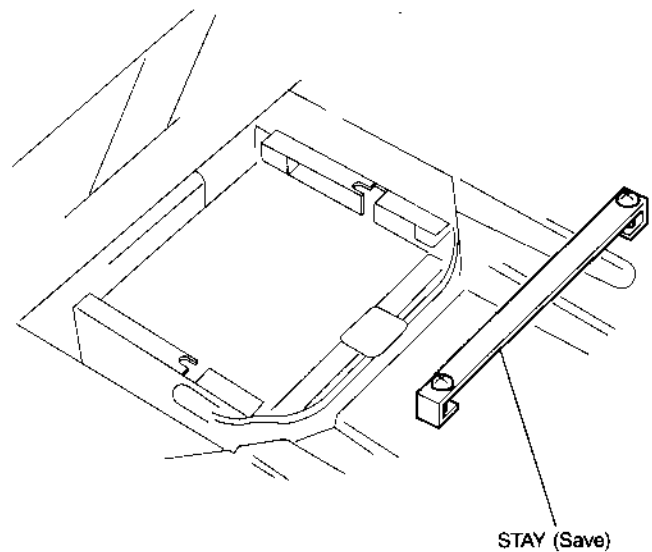


- Do not thread the screw into the blind nut completely. Provide clearance between them as shown.
- Temporarily attach the washer to the blind nut with Honda Bond A.

12. Press the CD changer into place and secure it with the screws as shown.

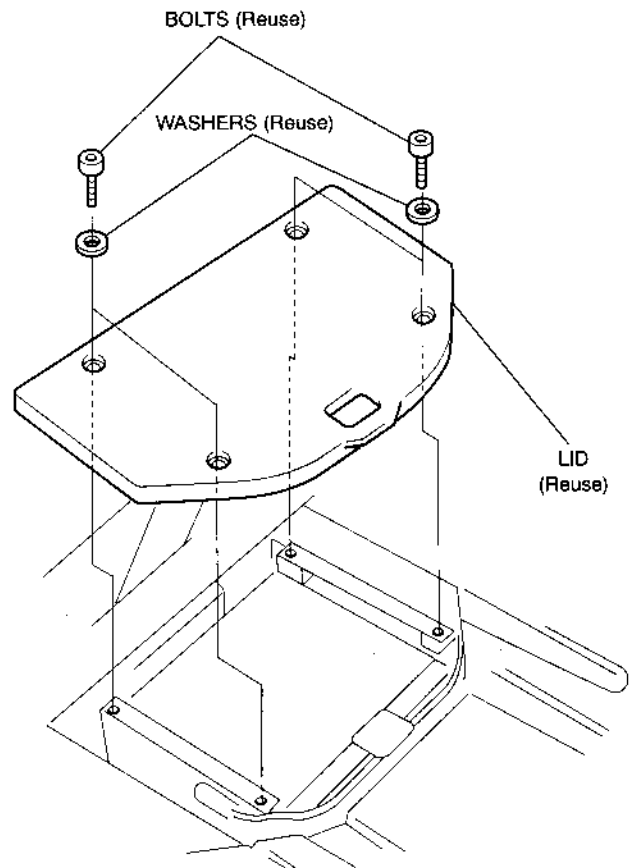


13. Remove the stay as indicated.

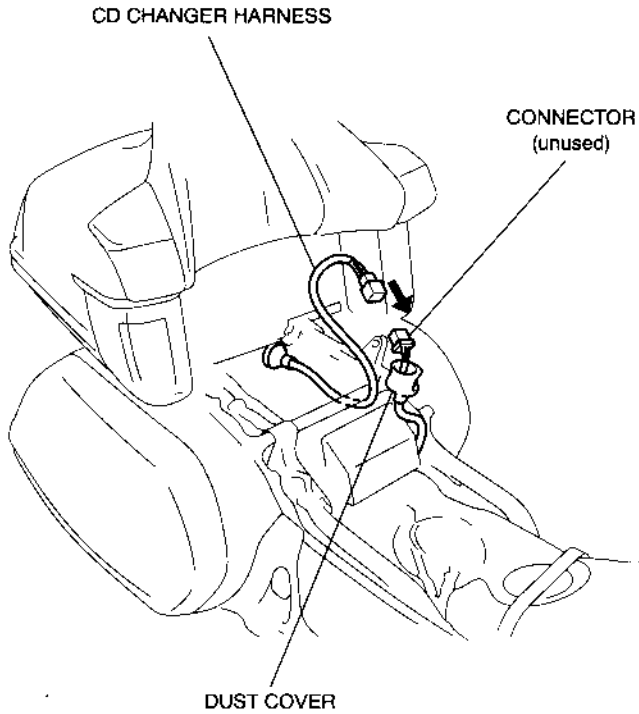


14. Install the CD changer lid.

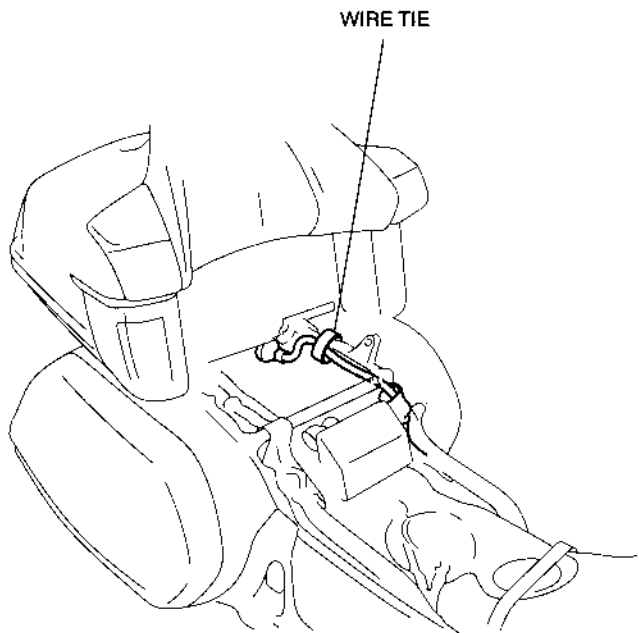
15. Reinstall the rear trunk in the reverse order of removal. Check that the wire harnesses are not pinched.



16. Connect the CD changer harness connector to the motorcycle's harness connector. Place the dust cover over the connectors.



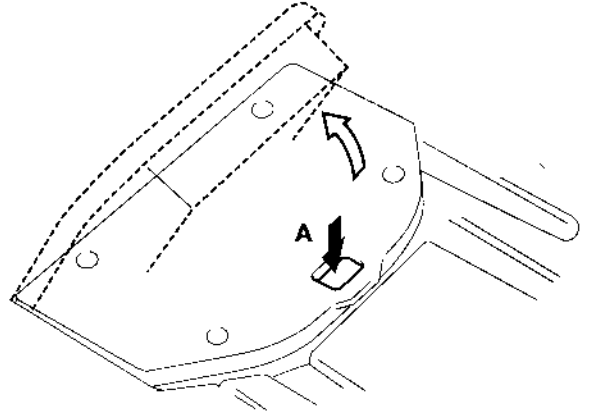
17. Secure the wire harness with the wire tie in the area shown.



18. Connect the negative cable to the battery and reinstall the seat and side covers in the reverse order of removal.
19. Observe the following when opening and closing the lid:

To Open:

- Push down on the CD changer lid in area A. The CD changer lid will be raised automatically. And pull up to lock the CD changer.



To Close:

- Push down on the lid with the palm of your hand until resistance is felt.

