



# INSTALLATION INSTRUCTIONS

Accessory

**FAIRING SIDE-AIR  
DEFLECTORS**  
P/N 08F62-MCA-100

Application

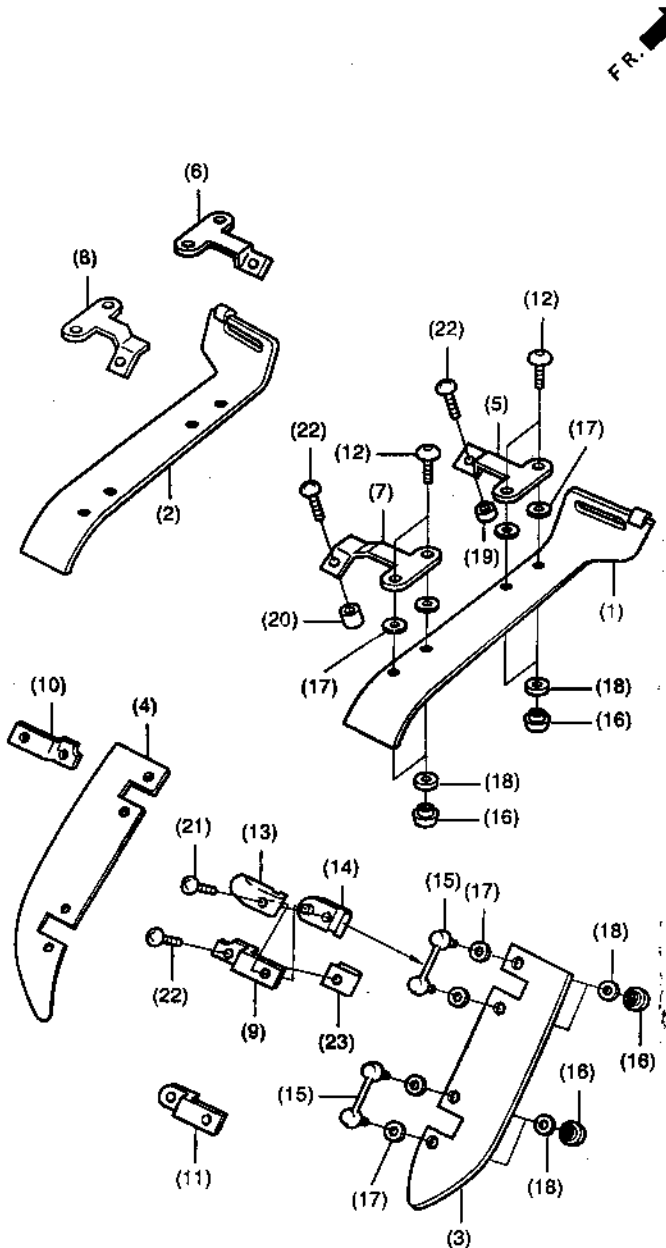
**GL1800**

Publications No.

Issue Date

**October 2000**

## PARTS LIST



No.	Description	Q'ty
(1)	Right upper deflector	1
(2)	Left upper deflector	1
(3)	Right lower deflector	1
(4)	Left lower deflector	1
(5)	Right bracket A	1
(6)	Left bracket A	1
(7)	Right bracket B	1
(8)	Left bracket B	1
(9)	Right bracket C	1
(10)	Left bracket C	1
(11)	Bracket D	2
(12)	5 mm Special bolt	8
(13)	Outside bracket	4
(14)	Inside bracket	4
(15)	Visor rod	4
(16)	5 mm Special nut	16
(17)	Washer (Rubber)	16
(18)	Washer (Resin)	16
(19)	Collar (Thin)	2
(20)	Collar (Thick)	2
(21)	5 mm Screw (short)	4
(22)	5 mm Screw (long)	8
(23)	Spring nut	4

## TOOLS AND SUPPLY REQUIRED

Hex wrench (3, 5 mm)  
Phillips® screwdriver  
Flat-tip screwdriver  
File  
Torque wrench

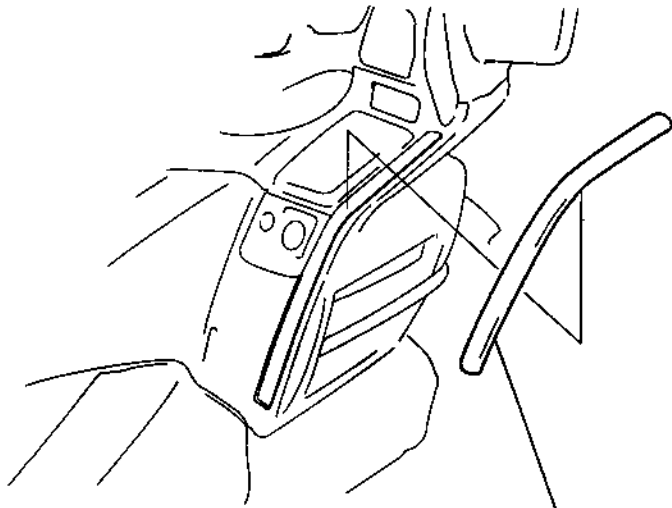
## TORQUE CHART

Be sure to tighten all screws and bolts to their specified torques.

Item	N·m	kgf·m	lbf·ft
5mm Screw	4	0.4	2.9
5mm Special bolt	5	0.5	3.6

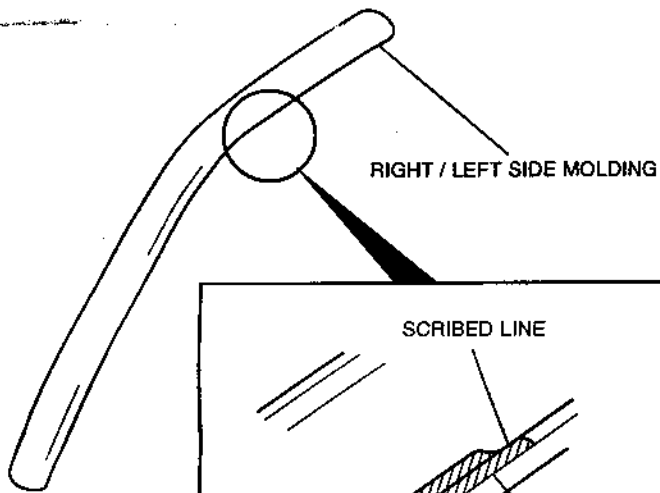
## INSTALLATION

1. Remove the right side molding.
2. Remove the left side molding.



RIGHT SIDE MOLDING

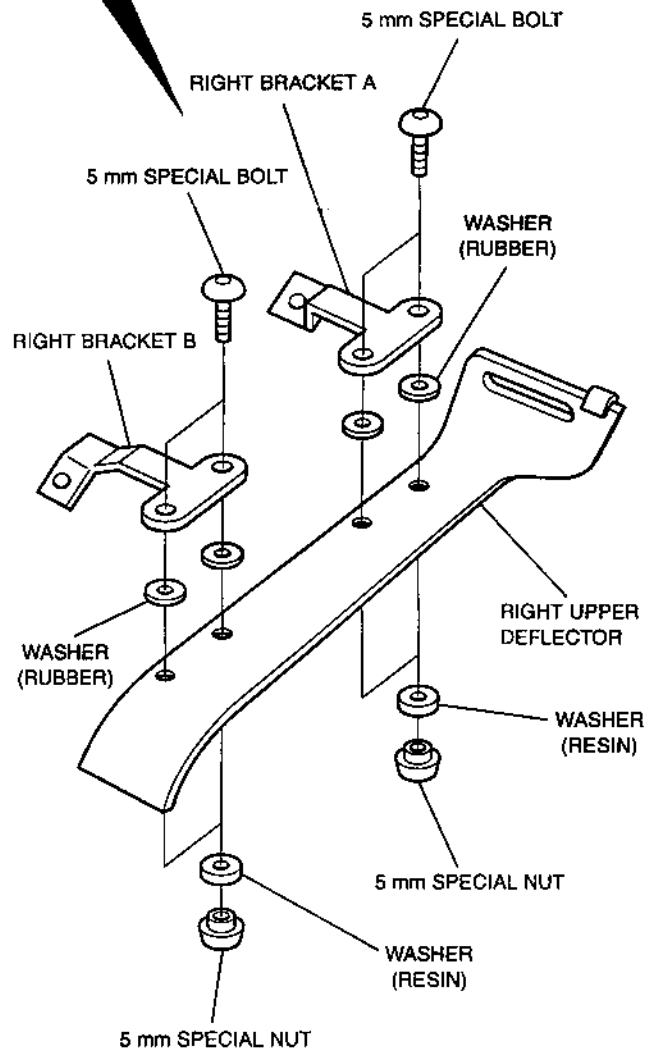
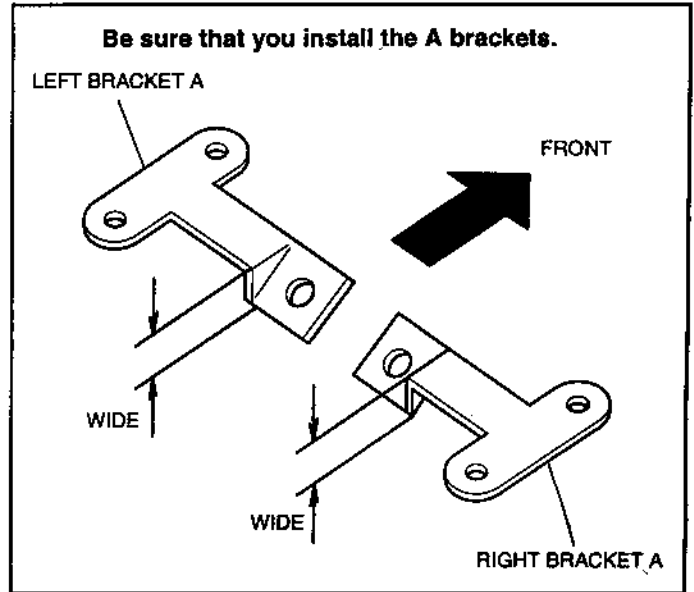
3. Using a file, cut off the marked area from both side moldings indicated by the scribed lines on the back.



Sectional View

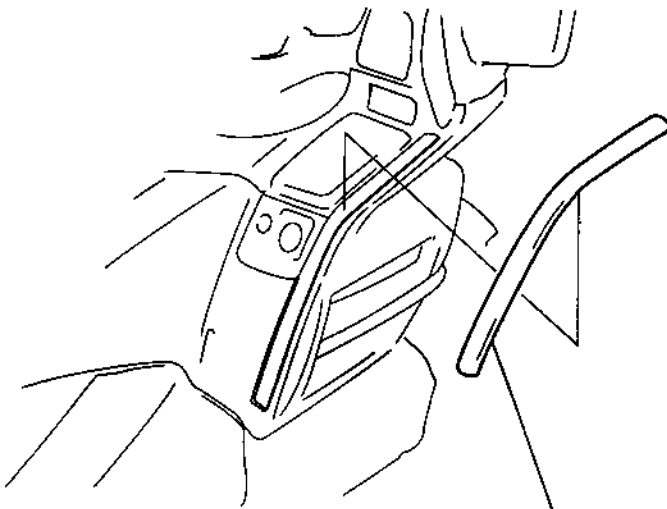
Remove with a file.

4. Assemble the right upper deflector as shown.



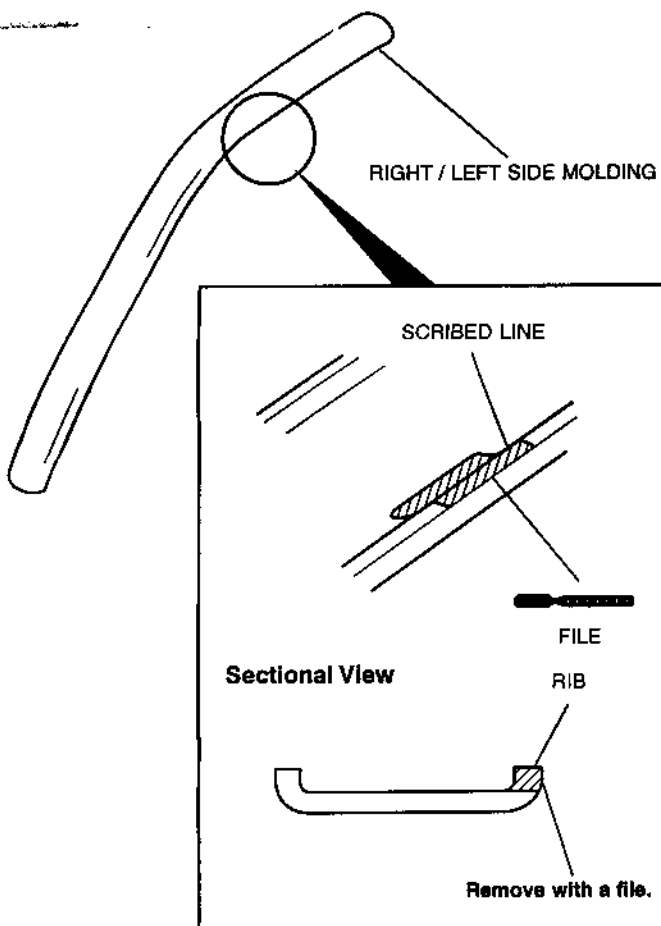
## INSTALLATION

1. Remove the right side molding.
2. Remove the left side molding.



RIGHT SIDE MOLDING

3. Using a file, cut off the marked area from both side moldings indicated by the scribed lines on the back.



4. Assemble the right upper deflector as shown.

