



INSTALLATION INSTRUCTIONS

Accessory
ACCESSORY SOCKET KIT
P/N 08U55-MCA-101

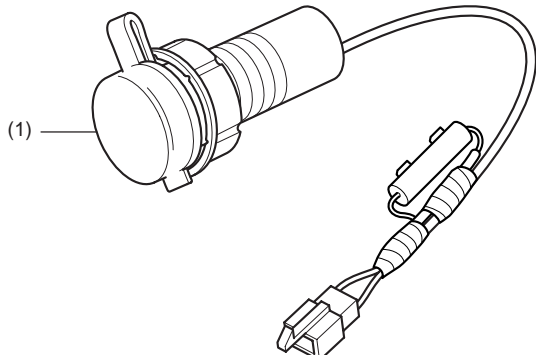
Application
GL1800

Publications No.
MII 11351

Issue Date
November 2005

Honda Dealer: Please give a copy of these instructions to your customer.

PARTS LIST



No.	Description	Qty
(1)	Accessory socket	1

TOOLS AND SUPPLIES REQUIRED

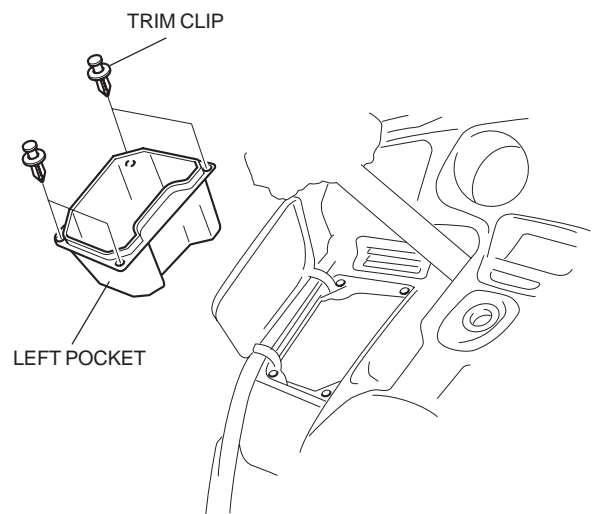
Electric drill motor
 Holesaw (30 mm)
 File
 Metric ruler
 Marker

INSTALLATION

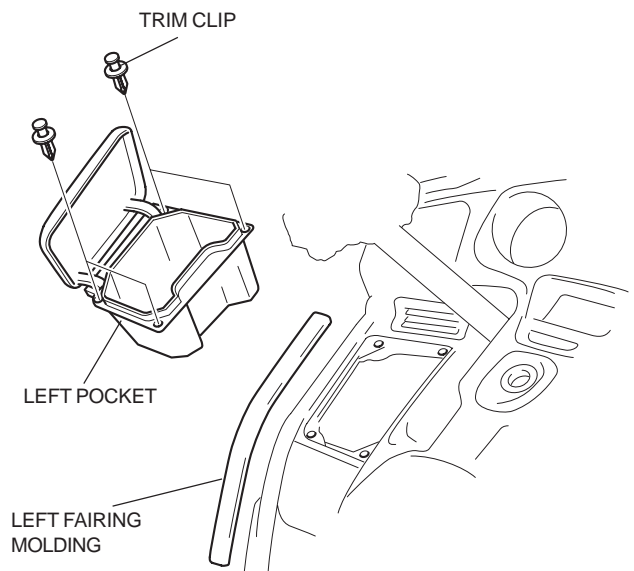
NOTE:

- This accessory socket should not be used with a cigarette lighter.
- Disconnect the negative (-) terminal from the battery.
 - Remove the parts as shown.

- Up to 05 model year -

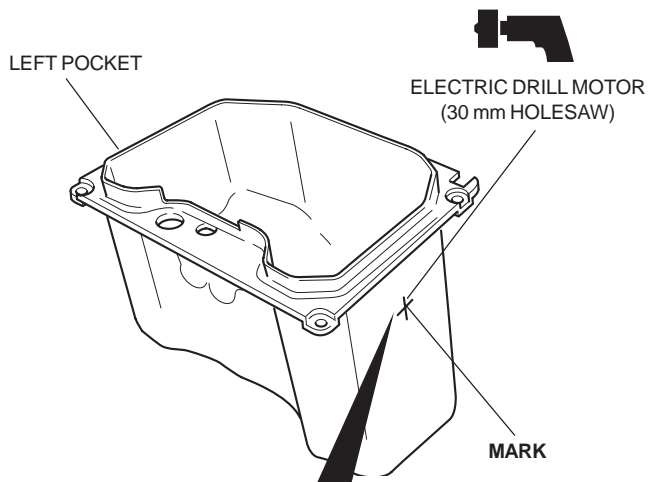


- From 06 model year -

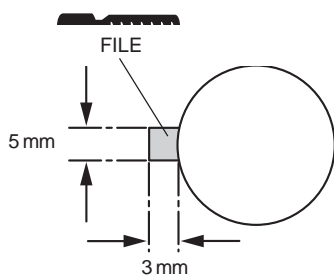


- Drill a 30 mm hole through the mark on the side of the left pocket using an electric drill motor and hole saw.
 - Remove any burrs from the edge of the hole.

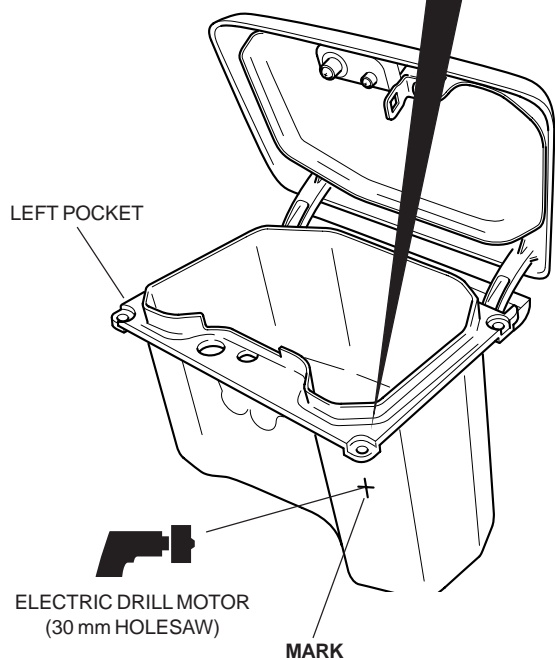
- Up to 05 model year -



Using a file, remove the marked area from the left pocket.

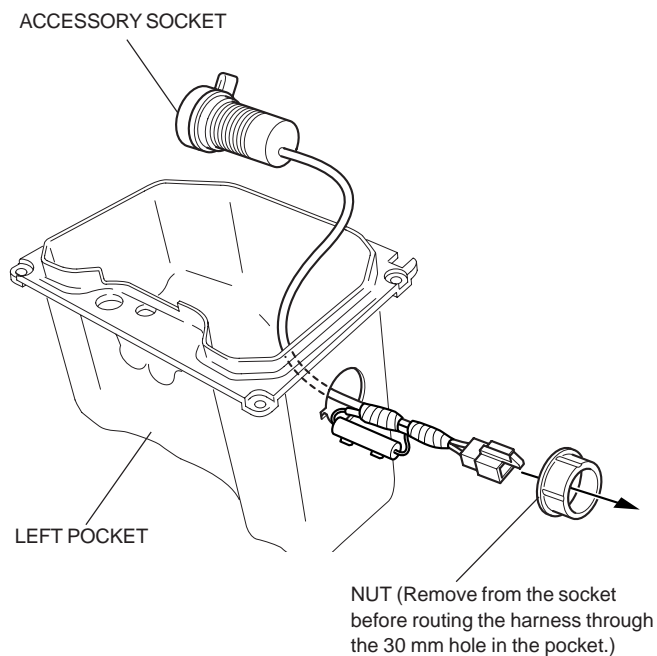


- From 06 model year -

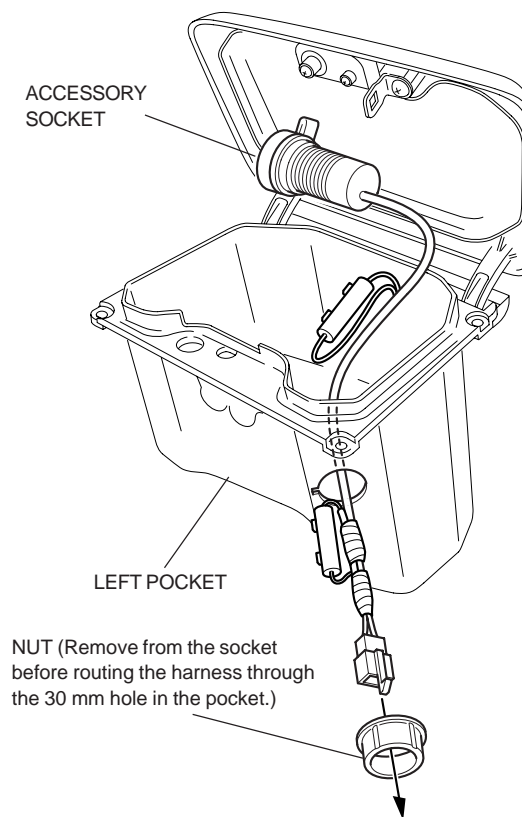


- From the inside, route the accessory socket harness connector out through the 30 mm hole, then install the socket in the 30 mm hole. Secure the socket with the nut as shown.

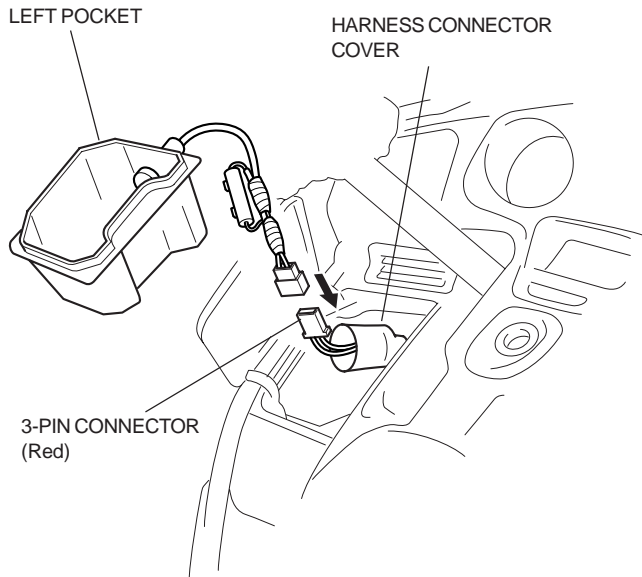
- Up to 05 model year -



- From 06 model year -



5. Connect the accessory socket harness connector to the motorcycle's harness connector. Pull the connector cover over the connectors.



6. Reinstall the parts in the reverse order of removal.
7. Connect the negative (-) terminal to the battery.